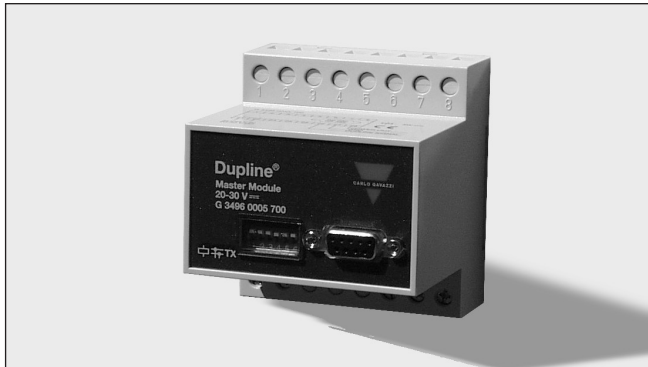


# Dupline® Plug & Play Master Module Interface for Omron Type G 3496 0004

CARLO GAVAZZI



- Interface for Omron PLC with the function of a master
- Plug and play: Automatic communication with specific PLC/Controllers
- Built-in normal Dupline® Channel Generator
- 128 I/O's and DC power supply on 3 wires
- RS232/RS422/RS485 port for interfacing to control system
- Split-I/O mode selectable (128 inputs and 128 outputs)
- LED-indications for supply, Dupline® carrier and Com-port Tx
- Galvanically isolated Com-port supplied by internal DC/DC converter

## Product Description

G 3496 0004 is designed as a cost-effective solution for interfacing Dupline® I/O's to a Omron PLC. It performs three functions: Dupline®

channel generator, power supply synchronization (enables 3-wire system with supply) and RS232/RS422/RS485 interface.

## Ordering Key

**G 3496 0004 700**

Type: Dupline® \_\_\_\_\_  
H4-Housing \_\_\_\_\_  
Combined module \_\_\_\_\_  
Interface type \_\_\_\_\_  
DC supply \_\_\_\_\_

## Type Selection

Supply	PLC Interface Conformance	Ordering no.
20-30 VDC	Omron CPM, CPM1A, CQM, SRM1 & C200	G 3496 0004 700

## Input/Output Specifications

<b>Power output</b>	
Output voltage	20-30 VDC (pulsating)
Output current	< 3.0 A @ 50°C
Short circuit protection	4 A quick acting fuse
Output voltage drop	< 1.0 V
<b>Dupline® carrier</b>	
Output voltage	8.2 V (pulsating)
Current	< 60 mA
Short circuit protection	Yes
Scan time	
128 channels	132.2 ms
64 channels	69.8 ms
<b>Communication port</b>	
Standard	RS232/RS422/RS485
Split I/O mode	Yes, selectable
Normal Dupline mode	Yes, selectable
Connection	9 pole female Sub-D
Dielectric voltage	
Com-port Dupline®	1 kVAC (rms)
Protocol	HostLink
Baud rate	9600 (Omron Default)
19200	
Data bits	7
Start bit	1
Stop bit	2
Parity	Even
Flow-control	None
Pin assignment	
2-wire RS 485	
S/R Data line + (B)	Pin 3
S/R Data line - (A)	Pin 8
GND	Pin 5

## Input/Output Specifications (Cont.)

4-wire RS 485/RS 422	
R Data line + (B)	Pin 3
R Data line - (A)	Pin 8
S Data line + (B)	Pin 2
S Data line - (A)	Pin 7
Direction	Pin 4
	(Connect to GND pin 5 when using 4-wire communication)
RS 232	
TX	Pin 1
RX	Pin 9
GND	Pin 5

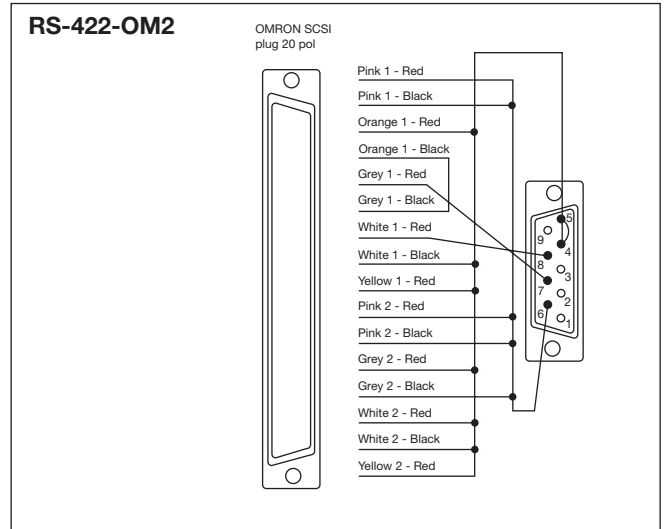
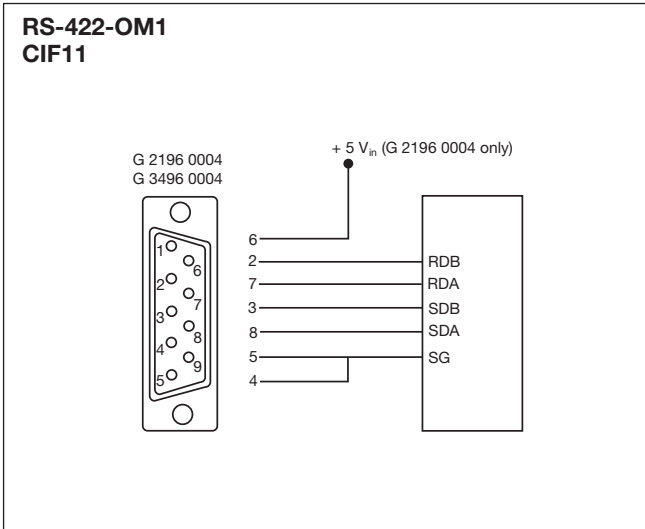
## Supply Specifications

<b>Power supply</b>	
Operational voltage (V <sub>in</sub> )	Overvoltage cat. III (IEC 60664)
Reverse polarity protection	20-30 VDC
Current consumption	None
Power dissipation	< 150 mA + Power load
Transient protection voltage	< 5 W
Dielectric voltage	800 V
Supply - Dupline®	None
Supply - com-port	1 kVAC (rms)

**Note:** Use individual power supplies for all G349600xx700, as the input are not galvanic isolated from each other.



## Pin Assignment



## Accessories

### Through Com. Module

Cable Sub-D 9M/6Wires for Com.  
Module with Screw term.

RS-422-OM1

### Peripheral Port

Cable Sub-D 9M/SCSI

RS-422-OM2

## Installation Hints

### IMPORTANT

The PLC must be in Monitor-mode. Termination switch on CIF11 must be in OFF position

### TX-LED

Slow flashing

No communication  
Check the wiring.

Fast flashing

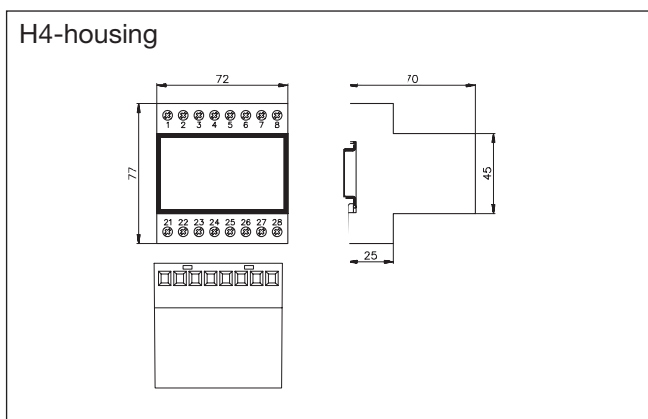
Communication OK.

### No Dupline® Carrier-LED

Dupline® Short circuit

Short circuit between the  
two Dupline® wires.

## Dimensions (mm)



## Additional Information

Scope of supply  
1 x Master Module

G3496 0004 700